

# SN54F157A, SN74F157A

## QUADRUPLE 2-LINE TO 1-LINE DATA SELECTORS/MULTIPLEXERS

SDFS053A – MARCH 1987 – REVISED OCTOBER 1993

- Buffered Inputs and Outputs
- Package Options Include Plastic Small-Outline Packages, Ceramic Chip Carriers, and Standard Plastic and Ceramic 300-mil DIPs

### description

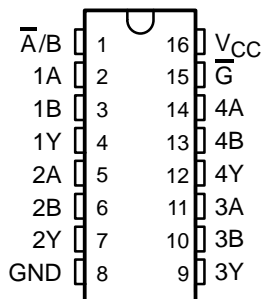
The 'F157A is a quadruple 2-input data selector/multiplexer featuring a common strobe ( $\bar{G}$ ) input. When the strobe is high, all outputs are low. When the strobe is low, a 4-bit word is selected from one of two sources and is routed to the four outputs. The 'F157A provides true data.

The SN54F157A is characterized for operation over the full military temperature range of  $-55^{\circ}\text{C}$  to  $125^{\circ}\text{C}$ . The SN74F157A is characterized for operation from  $0^{\circ}\text{C}$  to  $70^{\circ}\text{C}$ .

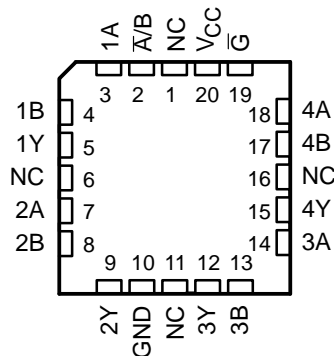
FUNCTION TABLE

| INPUTS    |                   |   |   | OUTPUT<br>Y |
|-----------|-------------------|---|---|-------------|
| $\bar{G}$ | $\bar{A}/\bar{B}$ | A | B |             |
| H         | X                 | X | X | L           |
| L         | L                 | L | X | L           |
| L         | L                 | H | X | H           |
| L         | H                 | X | L | L           |
| L         | H                 | X | H | H           |

SN54F157A . . . J PACKAGE  
SN74F157A . . . D OR N PACKAGE  
(TOP VIEW)



SN54F157A . . . FK PACKAGE  
(TOP VIEW)

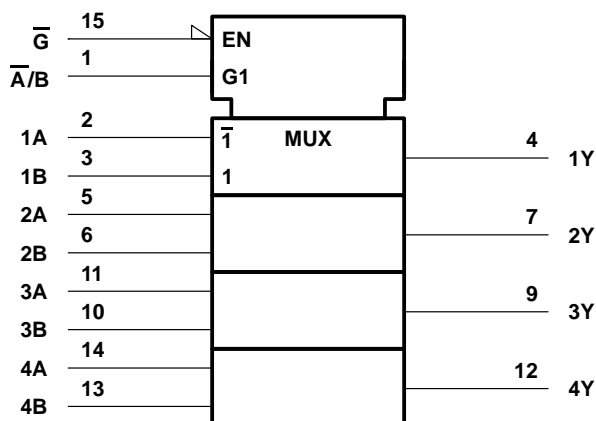


NC – No internal connection

# SN54F157A, SN74F157A QUADRUPLE 2-LINE TO 1-LINE DATA SELECTORS/MULTIPLEXERS

SDFS053A – MARCH 1987 – REVISED OCTOBER 1993

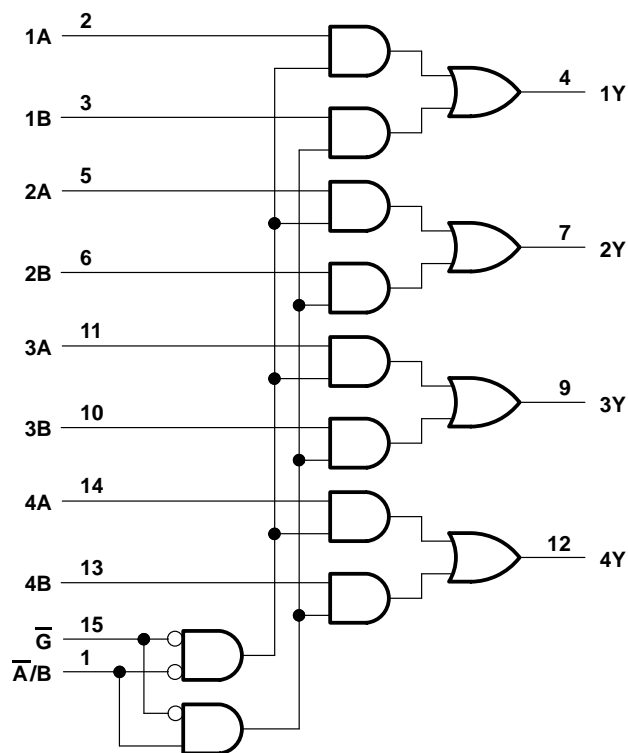
## logic symbol†



† This symbol is in accordance with ANSI/IEEE Std 91-1984 and IEC Publication 617-12.

Pin numbers shown are for the D, J, and N packages.

## logic diagram (positive logic)



## absolute maximum ratings over operating free-air temperature range (unless otherwise noted)‡

|   |                    |
|---|--------------------|
| Supply voltage range, $V_{CC}$ .....                        | -0.5 V to 7 V      |
| Input voltage range (see Note 1) .....                      | -1.2 V to 7 V      |
| Input current range .....                                   | -30 mA to 5 mA     |
| Voltage range applied to any output in the high state ..... | -0.5 V to $V_{CC}$ |
| Current into any output in the low state .....              | 40 mA              |
| Operating free-air temperature range: SN54F157A .....       | -55°C to 125°C     |
| SN74F157A .....   | 0°C to 70°C        |
| Storage temperature range .....                             | -65°C to 150°C     |

‡ Stresses beyond those listed under "absolute maximum ratings" may cause permanent damage to the device. These are stress ratings only and functional operation of the device at these or any other conditions beyond those indicated under "recommended operating conditions" is not implied. Exposure to absolute-maximum-rated conditions for extended periods may affect device reliability.

NOTE 1: The input voltage rating may be exceeded provided that the input current rating is observed.

## recommended operating conditions

|                                      | SN54F157A |     |     | SN74F157A |     |     | UNIT |
|--------------------------------------|-----------|-----|-----|-----------|-----|-----|------|
|                                      | MIN       | NOM | MAX | MIN       | NOM | MAX |      |
| $V_{CC}$ Supply voltage              | 4.5       | 5   | 5.5 | 4.5       | 5   | 5.5 | V    |
| $V_{IH}$ High-level input voltage    | 2         |     |     | 2         |     |     | V    |
| $V_{IL}$ Low-level input voltage     |           |     | 0.8 |           |     | 0.8 | V    |
| $I_{IK}$ Input clamp current         |           |     | -18 |           |     | -18 | mA   |
| $I_{OH}$ High-level output current   |           |     | -1  |           |     | -1  | mA   |
| $I_{OL}$ Low-level output current    |           |     | 20  |           |     | 20  | mA   |
| $T_A$ Operating free-air temperature | -55       |     | 125 | 0         |     | 70  | °C   |



POST OFFICE BOX 655303 • DALLAS, TEXAS 75265

# SN54F157A, SN74F157A

## QUADRUPLE 2-LINE TO 1-LINE DATA SELECTORS/MULTIPLEXERS

SDFS053A – MARCH 1987 – REVISED OCTOBER 1993

**electrical characteristics over recommended operating free-air temperature range (unless otherwise noted)**

| PARAMETER         | TEST CONDITIONS                                       | SN54F157A |      |      | SN74F157A |      |      | UNIT          |
|-------------------|---|-----------|------|------|-----------|------|------|---------------|
|                   |   | MIN       | TYP† | MAX  | MIN       | TYP† | MAX  |               |
| $V_{IK}$          | $V_{CC} = 4.5\text{ V}$ ,<br>$I_I = -18\text{ mA}$    |           |      | -1.2 |           |      | -1.2 | V             |
| $V_{OH}$          | $V_{CC} = 4.5\text{ V}$ ,<br>$I_{OH} = -1\text{ mA}$  | 2.5       | 3.4  |      | 2.5       | 3.4  |      | V             |
|                   | $V_{CC} = 4.75\text{ V}$ ,<br>$I_{OH} = -1\text{ mA}$ |           |      |      | 2.7       |      |      |               |
| $V_{OL}$          | $V_{CC} = 4.5\text{ V}$ ,<br>$I_{OL} = 20\text{ mA}$  |           | 0.3  | 0.5  |           | 0.3  | 0.5  | V             |
| $I_I$             | $V_{CC} = 5.5\text{ V}$ ,<br>$V_I = 7\text{ V}$       |           |      | 0.1  |           |      | 0.1  | mA            |
| $I_{IH}$          | $V_{CC} = 5.5\text{ V}$ ,<br>$V_I = 2.7\text{ V}$     |           |      | 20   |           |      | 20   | $\mu\text{A}$ |
| $I_{IL}$          | $V_{CC} = 5.5\text{ V}$ ,<br>$V_I = 0.5\text{ V}$     |           |      | -0.6 |           |      | -0.6 | mA            |
| $I_{OS}^\ddagger$ | $V_{CC} = 5.5\text{ V}$ ,<br>$V_O = 0$                | -60       |      | -150 | -60       |      | -150 | mA            |
| $I_{CC}$          | $V_{CC} = 5.5\text{ V}$ ,<br>$V_I = 4.5\text{ V}$     |           | 15   | 23   |           | 15.5 | 23   | mA            |

† All typical values are at  $V_{CC} = 5\text{ V}$ ,  $T_A = 25^\circ\text{C}$ .

‡ Not more than one output should be shorted at a time, and the duration of the short circuit should not exceed one second.

### switching characteristics (see Note 2)

| PARAMETER | FROM (INPUT)     | TO (OUTPUT) | $V_{CC} = 5\text{ V}$ ,<br>$C_L = 50\text{ pF}$ ,<br>$R_L = 500\ \Omega$ ,<br>$T_A = 25^\circ\text{C}$ |     |     | $V_{CC} = 4.5\text{ V to }5.5\text{ V}$ ,<br>$C_L = 50\text{ pF}$ ,<br>$R_L = 500\ \Omega$ ,<br>$T_A = \text{MIN to MAX}^\S$ |     |           |     | UNIT |
|-----------|------------------|-------------|--|-----|-----|--|-----|-----------|-----|------|
|           |                  |             | 'F157A   |     |     | SN54F157A  |     | SN74F157A |     |      |
|           |                  |             | MIN  | TYP | MAX | MIN  | MAX | MIN       | MAX |      |
| $t_{PLH}$ | $\overline{A/B}$ | Y           | 3.2  | 6.6 | 10  | 3.2  | 12  | 3.2       | 11  | ns   |
| $t_{PHL}$ |                  |             | 2.2  | 4.6 | 7   | 2.2  | 9   | 2.2       | 8   |      |
| $t_{PLH}$ | $\overline{G}$   | Y           | 4.2  | 6.6 | 9.5 | 4.2  | 13  | 4.2       | 11  | ns   |
| $t_{PHL}$ |                  |             | 1.7  | 4.1 | 6.5 | 1.7  | 7.5 | 1.7       | 7   |      |
| $t_{PLH}$ | A or B           | Y           | 1.7  | 4.1 | 6   | 1.7  | 7.5 | 1.7       | 6.5 | ns   |
| $t_{PHL}$ |                  |             | 1.7  | 3.6 | 5.5 | 1  | 7.5 | 1.2       | 7   |      |

§ For conditions shown as MIN or MAX, use the appropriate value specified under recommended operating conditions.

NOTE 2: Load circuits and voltage waveforms are shown in Section 1.



## **IMPORTANT NOTICE**

Texas Instruments (TI) reserves the right to make changes to its products or to discontinue any semiconductor product or service without notice, and advises its customers to obtain the latest version of relevant information to verify, before placing orders, that the information being relied on is current.

TI warrants performance of its semiconductor products and related software to the specifications applicable at the time of sale in accordance with TI's standard warranty. Testing and other quality control techniques are utilized to the extent TI deems necessary to support this warranty. Specific testing of all parameters of each device is not necessarily performed, except those mandated by government requirements.

Certain applications using semiconductor products may involve potential risks of death, personal injury, or severe property or environmental damage ("Critical Applications").

**TI SEMICONDUCTOR PRODUCTS ARE NOT DESIGNED, INTENDED, AUTHORIZED, OR WARRANTED TO BE SUITABLE FOR USE IN LIFE-SUPPORT APPLICATIONS, DEVICES OR SYSTEMS OR OTHER CRITICAL APPLICATIONS.**

Inclusion of TI products in such applications is understood to be fully at the risk of the customer. Use of TI products in such applications requires the written approval of an appropriate TI officer. Questions concerning potential risk applications should be directed to TI through a local SC sales office.

In order to minimize risks associated with the customer's applications, adequate design and operating safeguards should be provided by the customer to minimize inherent or procedural hazards.

TI assumes no liability for applications assistance, customer product design, software performance, or infringement of patents or services described herein. Nor does TI warrant or represent that any license, either express or implied, is granted under any patent right, copyright, mask work right, or other intellectual property right of TI covering or relating to any combination, machine, or process in which such semiconductor products or services might be or are used.