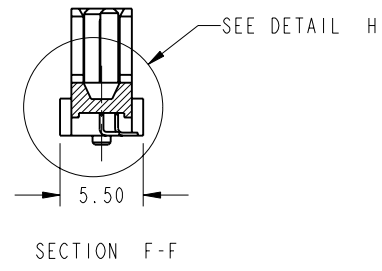
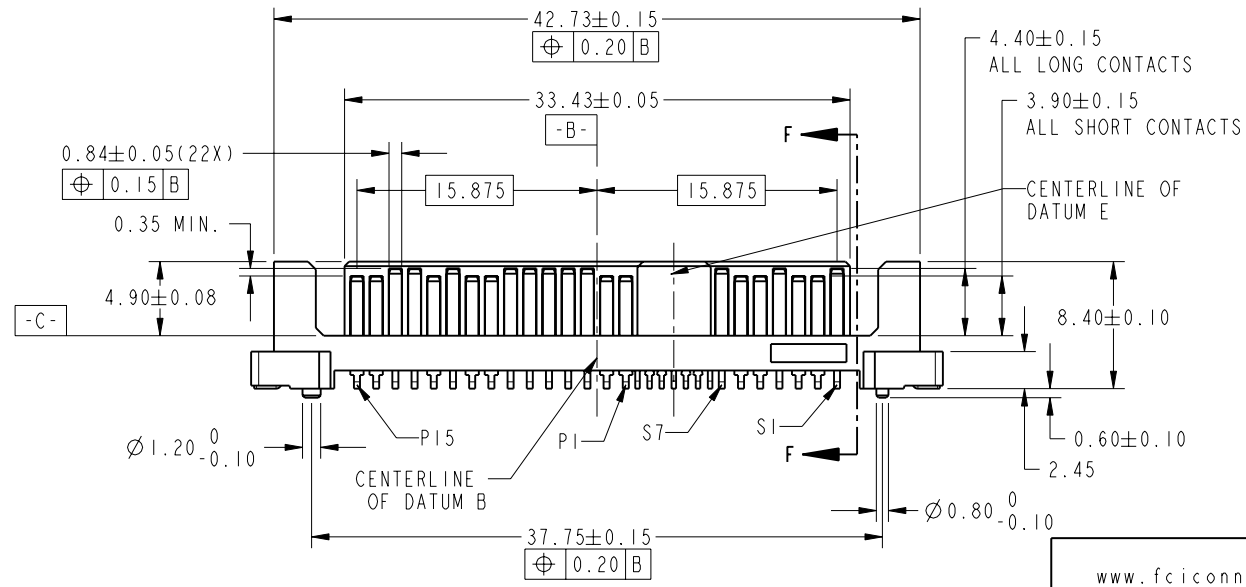
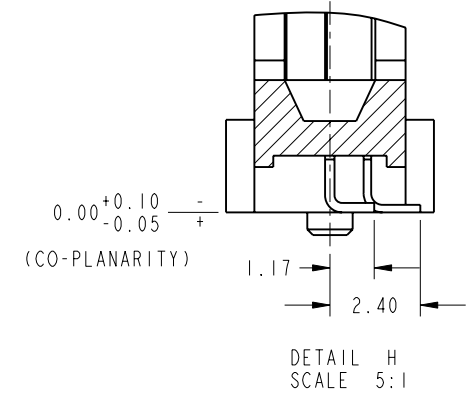
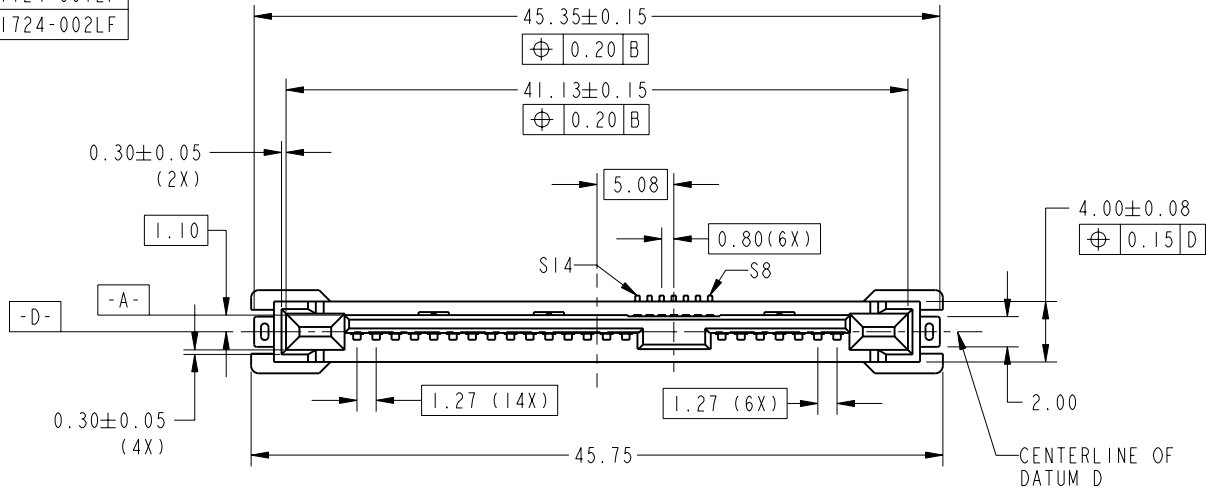


PRODUCT NO.
10041724-001LF
10041724-002LF



www.fciconnect.com			surface ASME Y14.5	tolerance std ASME Y14.5	projection	MM
			TOLERANCES UNLESS OTHERWISE SPECIFIED			
Dr	SH TAN	2004-08-20	ANGULAR	0.X ±0.25	size	A4
Eng	HK LIM	2007-11-02	LINEAR	0.XX ±0.13	Scale	2:1
Chr	HK LIM	2007-11-02	0° ±2°	0.XXX ±0.050	ECN	S07-0382
Appr	JOEY NG	2007-11-02	Product family		Spec ref	
SAS PLUG VERTICAL SMT ASSY catalog no			dwg no		10041724	Rev. H
					CUSTOMER	sheet 1 of 3

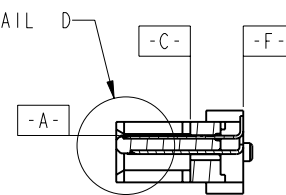
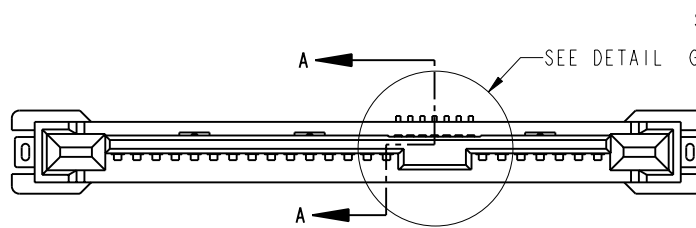
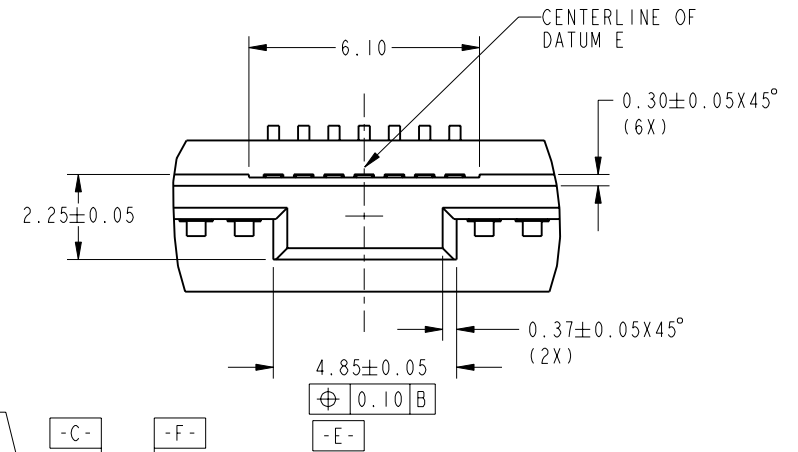
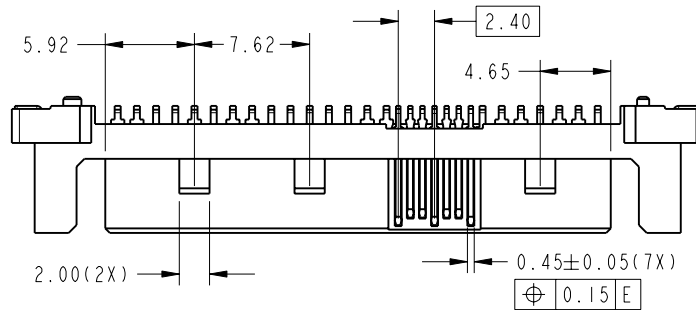
rev	ecn no	dr	date
H	S07-0382	HKL	2007-11-02
B	S05-0368	HKL	2005-12-29
C	S06-0077	HKL	2006-03-13
D	S06-0182	HKL	2006-05-26
E	S06-0276	HKL	2006-08-18
F	S07-0107	HKL	2007-04-11
G	S07-0301	HKL	2007-09-05

REV C - 2006-03-28

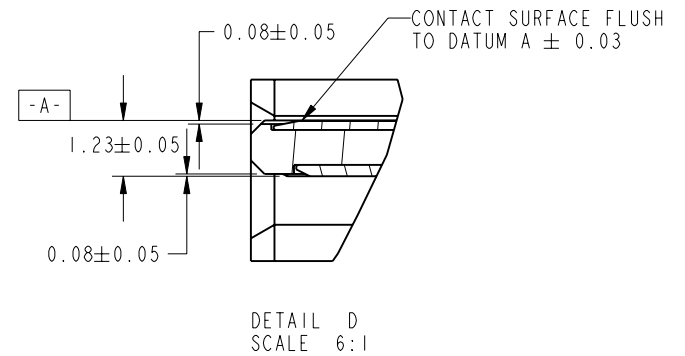
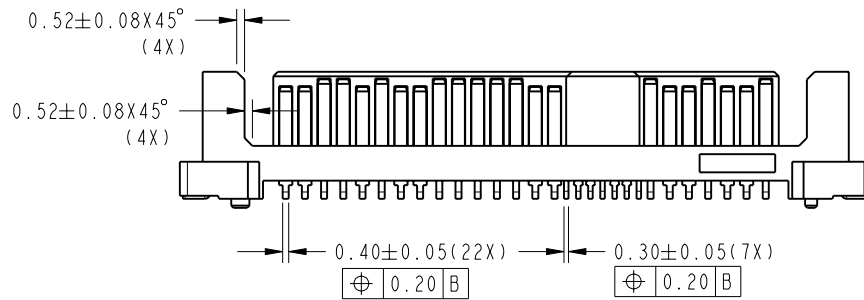


Copyright FCI.

PRODUCT NO.
SEE TABLE



DETAIL G
SCALE 5:1

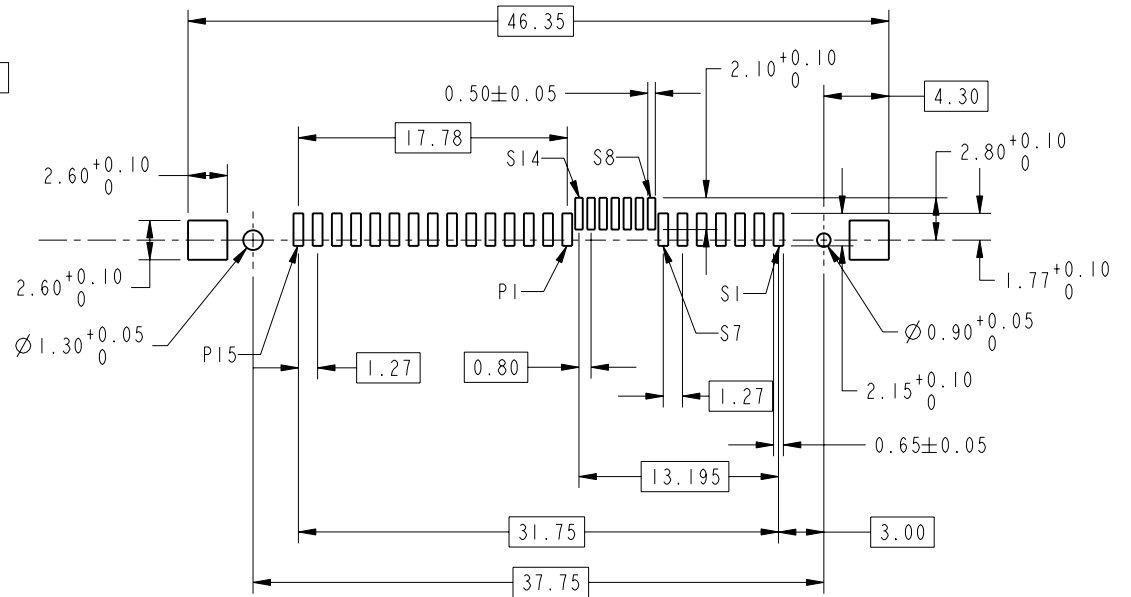
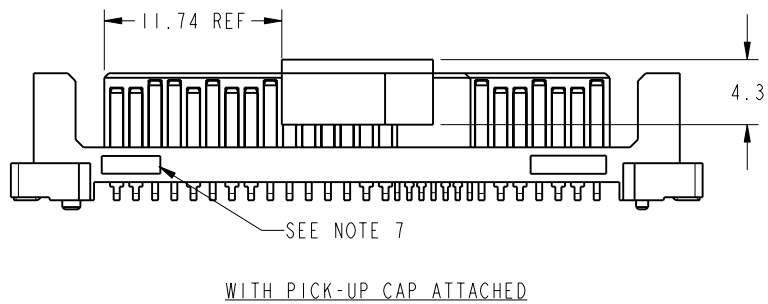
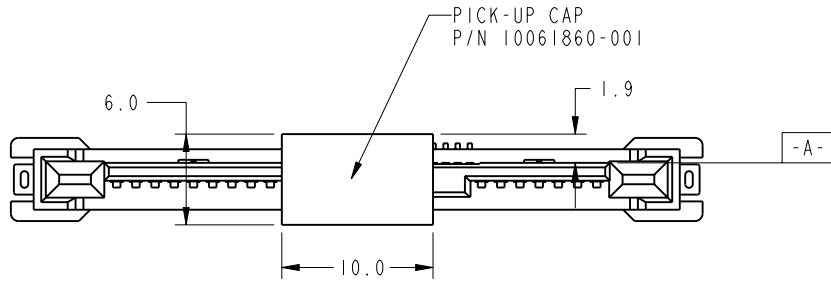


Copyright FCI.

REV E - 2006-03-28

	title SAS PLUG VERTICAL SMT ASSY	dwg no 10041724	Rev. H
	catalog no CUSTOMER	sheet 2 of 3	

PRODUCT NO.	WITH PICK-UP CAP	PACKAGING	PLATING SPEC.
10041724-001LF/-002LF	NO	TRAY	-001LF REFER TO NOTE 2A
10041724-001CLF/-002CLF	YES		-002LF REFER TO NOTE 2B
10041724-001C-TRLF/-002C-TRLF		TAPE & REEL	



RECOMMENDED SOLDER PAD LAYOUT

NOTES:

- MATERIAL:
HOUSING & PICK-UP CAP: HIGH TEMPERATURE PLASTIC, BLACK, UL94V-0
CONTACT & HOLD DOWN: COPPER ALLOY
- FINISH:
CONTACT: 1.27um MIN. NICKEL UNDERPLATE OVERALL,
2.00um MIN. 100% MATTE TIN(LEAD FREE) ON SOLDER TAIL,
A) 0.76um MIN. GOLD ON CONTACT AREA
B) 0.76um MIN. GXT™ ON CONTACT AREA
HOLD DOWN: 2.54um MIN. 100% MATTE TIN(LEAD FREE) OVER 1.27um MIN. NICKEL UNDERPLATE
- THIS PRODUCT MEETS EUROPEAN UNION DIRECTIVES AND OTHER COUNTRY REGULATIONS AS DESCRIBED IN GS-22-008
- THE HOUSING WILL WITHSTAND EXPOSURE TO 260°C PEAK TEMPERATURE FOR 10 SECONDS IN A CONVECTION, INFRA-RED OR VAPOR PHASE REFLOW OVEN
- PART WITH PICK-UP CAP, P/N XXXXXXXX-XXXCLF
- FOR TAPE & REEL PACKAGING, P/N XXXXXXXX-XXXC-TRLF
- THE PART SHALL HAVE "FCI" ID AND CAVITY NUMBER SHOWN IN THE APPROXIMATE LOCATION
- A SYMBOL WILL BE NEXT TO ANY DIMENSION, VIEW OR NOTE WHICH HAS BEEN MODIFIED WITH THE CURRENT DRAWING REVISION

	TITLE	SAS PLUG	dwg no	10041724	Rev.	H
	TITLE	VERTICAL SMT ASSY	CUSTOMER	sheet 3 of 3		
	CATALOG NO					

REV E - 2006-03-28

PDM: Rev:H

STATUS: Released

Printed: Dec 01, 2010



Copyright FCI.